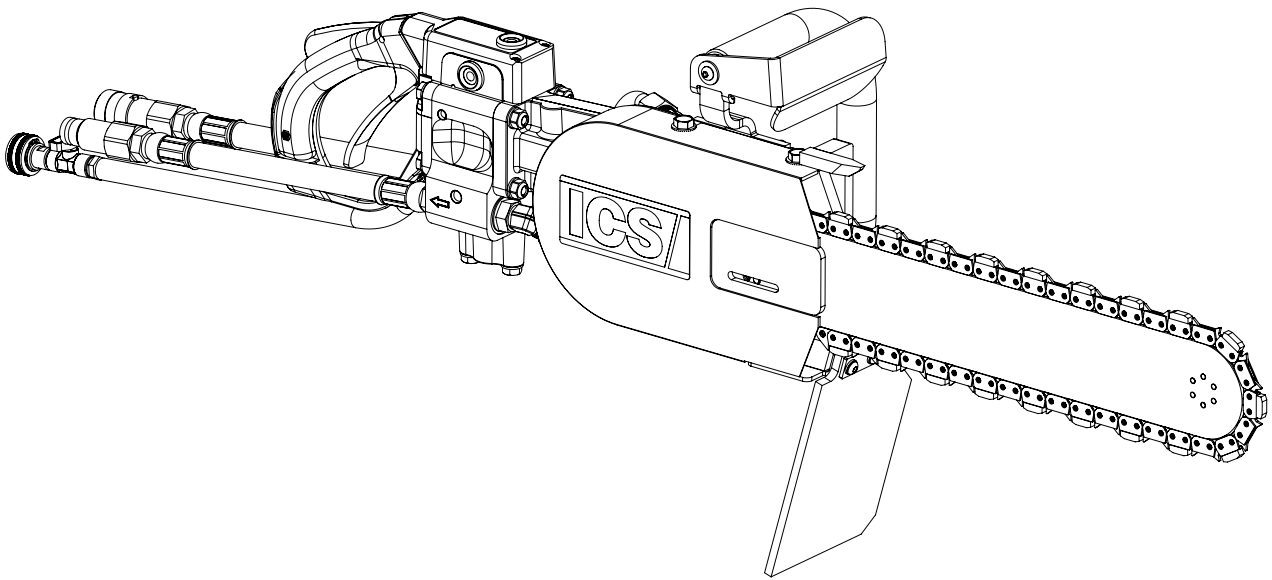




Diamond Tools and Equipment
for Construction and Infrastructure

Replacement Parts & Accessories Price List



890 FLUSH Series Hydraulic Concrete Saw

Effective July 1, 2015

TABLE OF CONTENTS

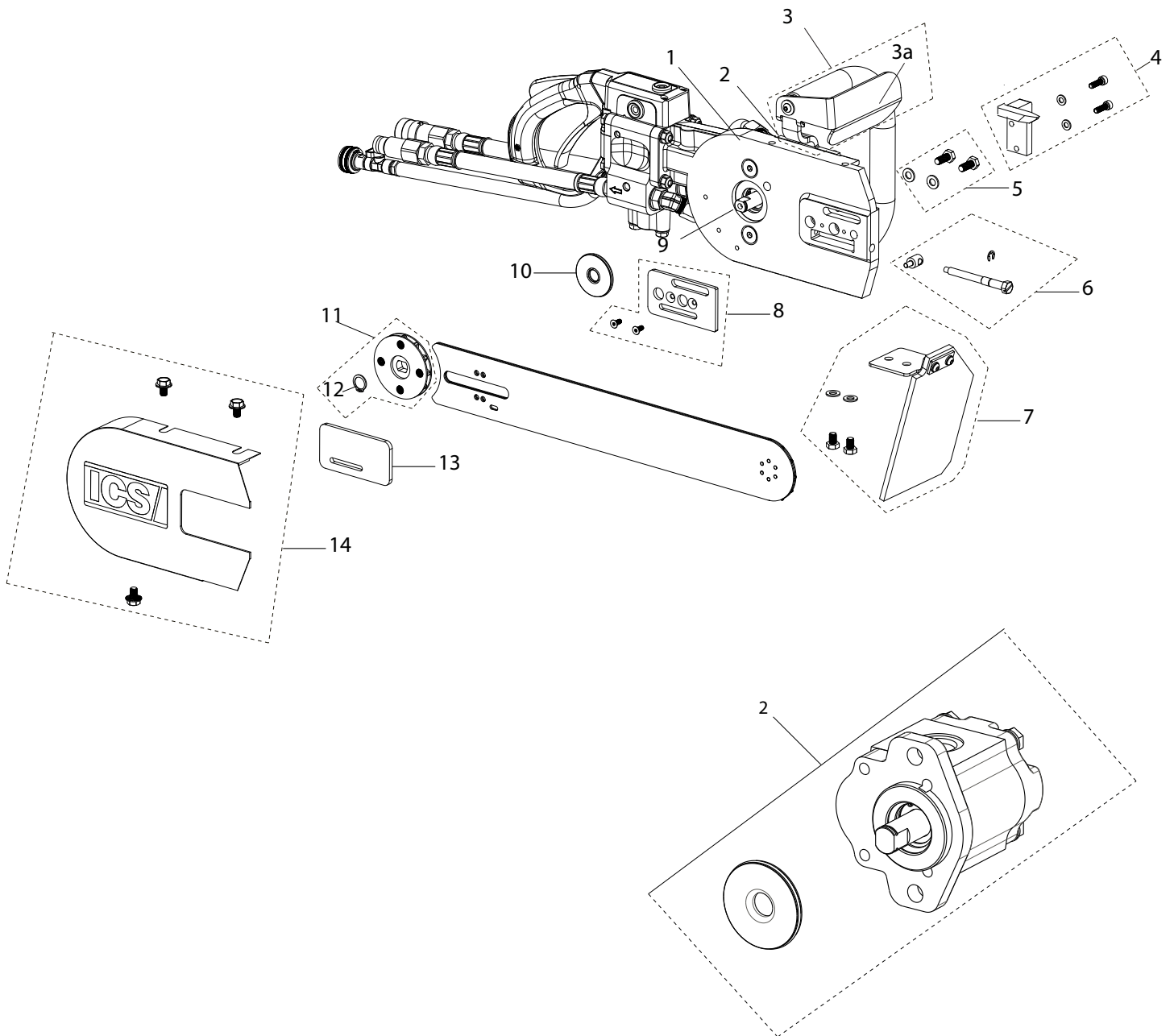
890 FLUSH Series Hydraulic Concrete Saw

ITEM DESCRIPTION	KEY	PAGE
890 FLUSH Series Hydraulic Saw Service Parts & Kits	n/a	2
890 FLUSH Series Hydraulic Saw Assembly	B	3-4

SERVICE PARTS & KITS

890 FLUSH Series Hydraulic Concrete Saw

Part No.	Description
70619	890 FLUSH Series Tensioning Screws, Hydraulic Saws
71526	890 FLUSH Series Hydraulic Valve Spool Kit
72296	890 FLUSH Series Hydraulic Valve Seal Kit
72347	890 FLUSH Series Hydraulic Trigger Lock-Out Spring & Pin Kit
506026	890 FLUSH Series Hydraulic Trigger & Lock-Out Kit
507407	890 FLUSH Series Hydraulic Front Handle Fastener Kit
518869	890 FLUSH Series Hydraulic Water Valve Kit, includes clip, plunger, spring, ball & water bridge spindle
528594	890 FLUSH Series Motor Seal Kit
72342	890 FLUSH Series Hydraulic Motor Bolt Kit
540290	890 FLUSH Series Hydraulic End Cap Set
565317	890 FLUSH Series Valve Cover with levels
72344	890 FLUSH Series Valve Bolt Kit
530046	890 FLUSH Series FORCE4™ Bar Nose Sprocket Repair Kit
566059	890 FLUSH Series Water Shut-off Valve Kit
564984	890 FLUSH Series Motor Conversion Kit with sprocket 8 gpm
564985	890 FLUSH Series Motor Conversion Kit with sprocket 12 gpm



Key #	Part No.	Description
1	532512	890 FLUSH Series Mainframe Replacement Kit
2	564962	890 FLUSH Series Replacement Motor Kit 30 lpm
2	564983	890 FLUSH Series Replacement Motor Kit 45 lpm
3	523947	890 FLUSH Series Front Handle Kit (includes 3a) 30 lpm
3a	74586	890 FLUSH Series Front Handguard Kit 30 lpm
3	567102	890 FLUSH Series Front Handle Kit (includes 3a) 45 lpm
3a	517874	890 FLUSH Series Front Handguard Kit 45 lpm
4	524673	890 FLUSH Series WallWalker Spike Kit
5	524658	890 FLUSH Series Bar Clamp Bolt Kit
6	523946	890 FLUSH Series Tensioner Kit
7	524652	890 FLUSH Series Guard Flap Assembly Kit
8	523945	890 FLUSH Series Spacer Plate Kit
9	564923	890 FLUSH Series Shaft Conversion Kit w/Motor Seals 30 lpm
9	564924	890 FLUSH Series Shaft Conversion Kit w/ Motor Seals 45 lpm
10	528563	890 FLUSH External Shaft Seal
11	565066	890 FLUSH Series Drive Sprocket Kit (includes Snap ring) 30 lpm/45 lpm
12	549796	890 FLUSH Series Snap ring Kit
13	524657	890 FLUSH Series Bar Clamp Plate Kit
14	532515	890 FLUSH Series Side Cover Kit
		* All other replacement parts are the same as 890 Series
		**Replacement parts for Trigger are listed on page 2

890 FLUSH Series Replacement Parts & Accessories Price List

**ICS, Blount Europe, SA
Rue Emile Francqui, 5
1435 Mont-Saint-Guibert, Belgium
Tel +32 10 301 251 Fax +32 10 301 259
icsdiamondtools.com**