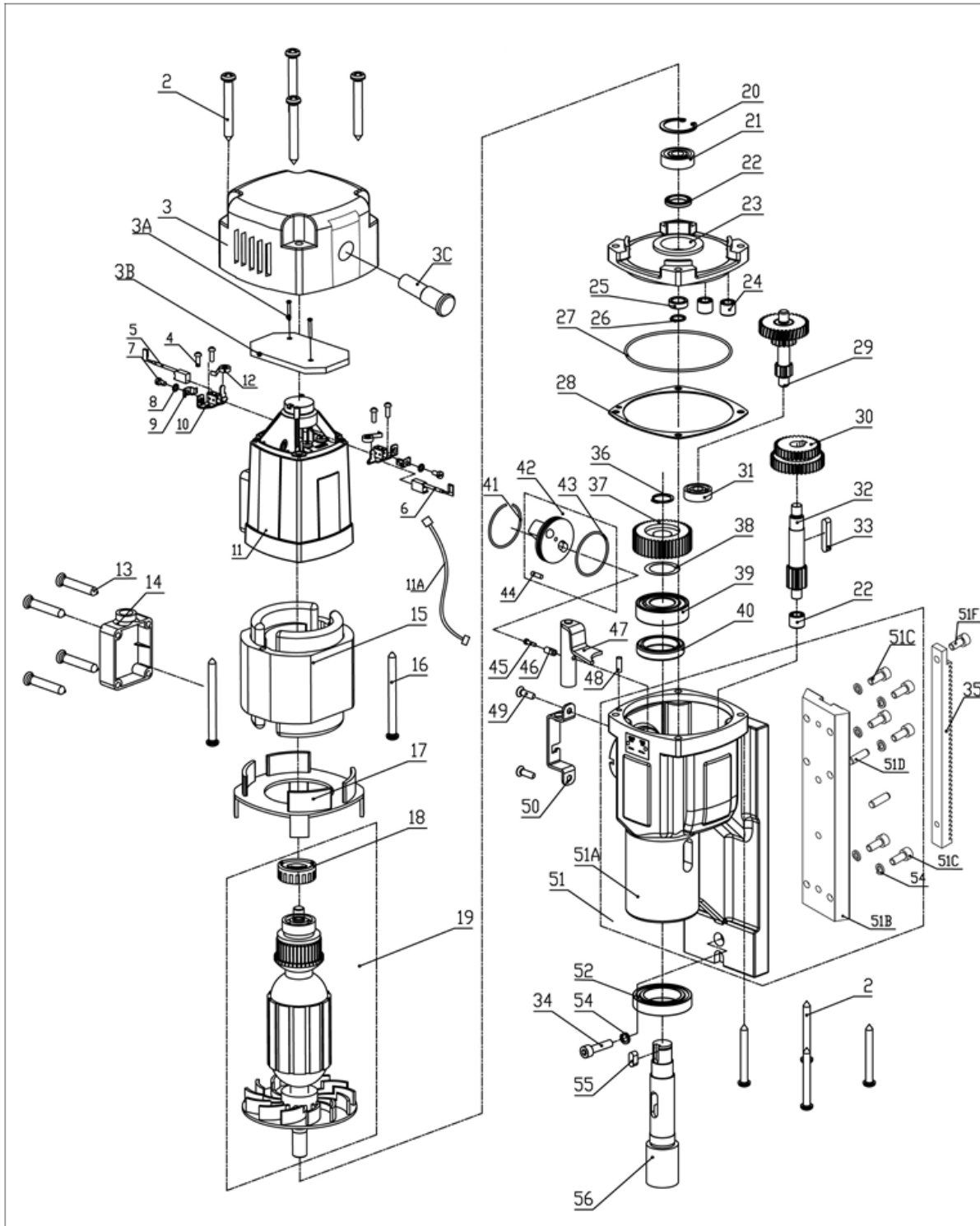
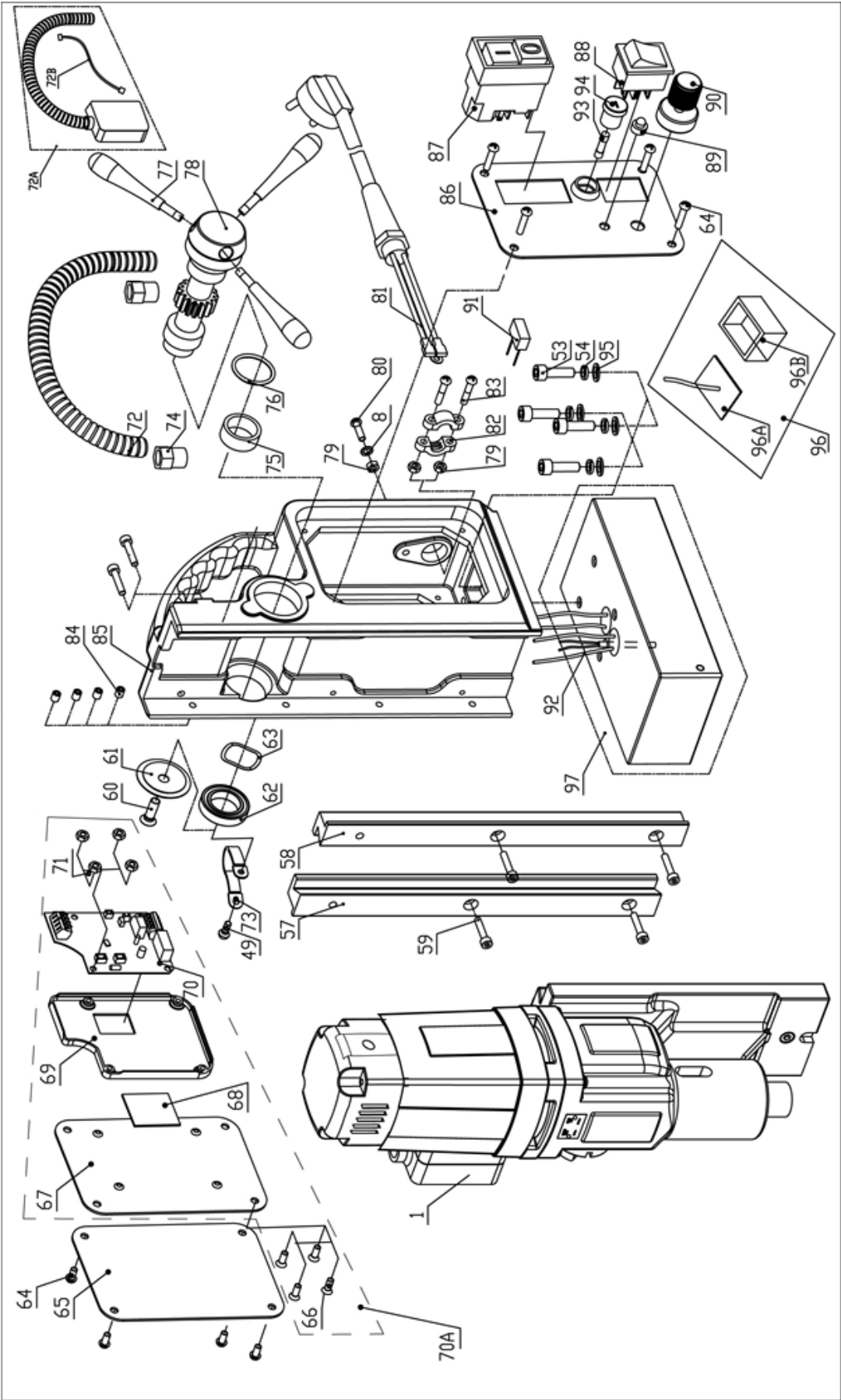
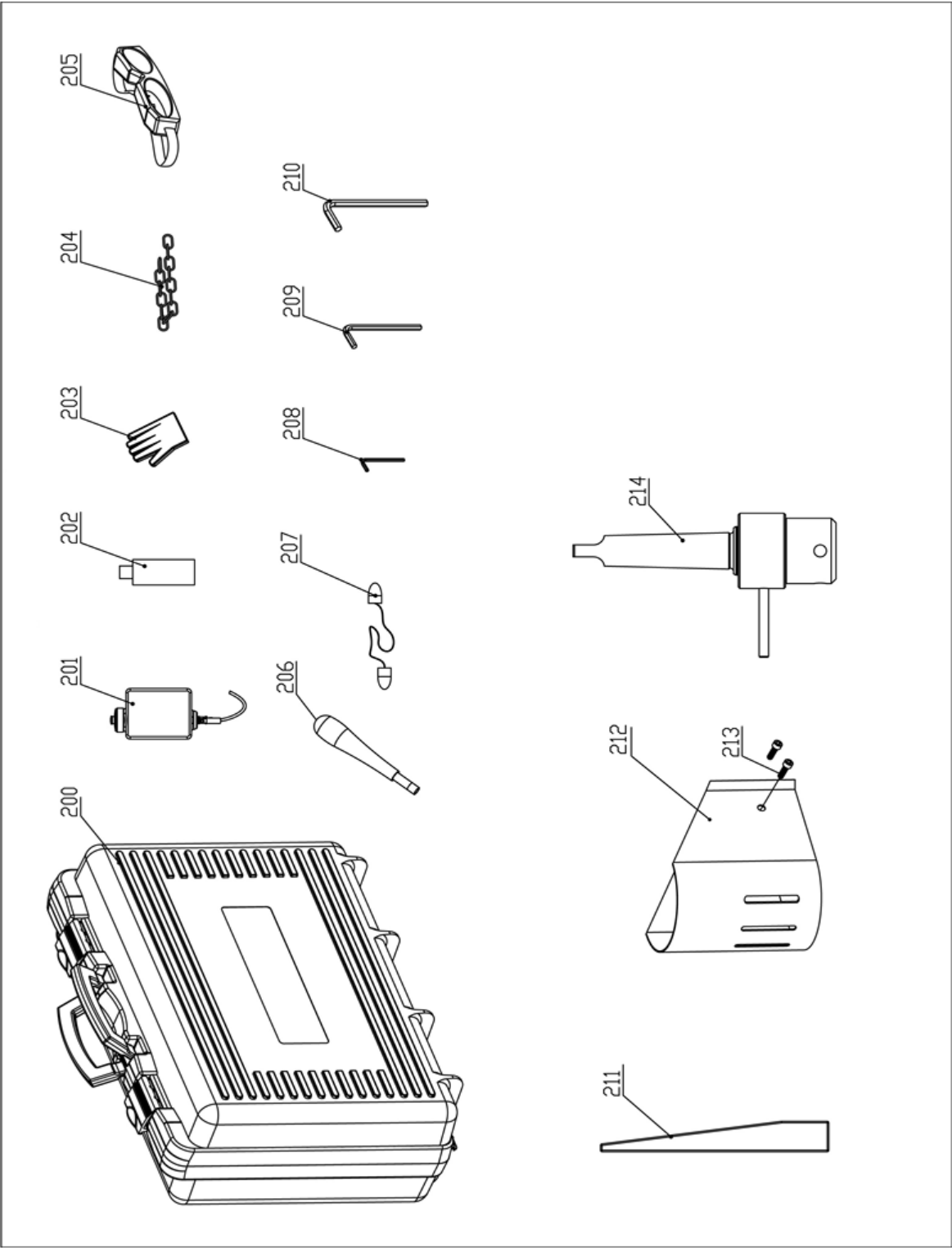


Exploded views & spare parts list

Exploded views







Spare parts list

No.	Part no.	Description	Qty
1	060.1001Z	ECO.60S+ motor unit 220V ext. cable	1
	060.1001ZA	ECO.60S+ motor unit 110V ext. cable	
2	050.0106	Screw 4.8 x 45	8
3	050.0111Z	End cover 110 - 220 Volt	1
3A	032T.0019XA	Screw M3 x 8	2
3B	050T.0006	Control unit 2 110V / 220V 2015-01	1
3C	020.0278	Led indicator red alarm 110 - 220 Volt	1
4	055.1029	Carbon brush holder	2
7			
12			
5	050.0069A	Carbon brush 220 Volt	1
	050.0069A-01	Carbon brush 110 Volt	
6	050.0069AUTO	Carbon brush 110 - 220 Volt	1
11	050.0131	Housing	1
11A	CS100.0342/2	Cable set 1608 ->	1
13	050.0587	Screw 5 x 30	4
14	050.0586	Cable housing	1
15	050T.0278	Field 220V	1
	050T.0278A	Field 110V	
16	020.0328	Screw M4 x 70	2
17	050.0261	Baffle	1
18	050T.0180	Ring magnet	1
19	050T.0183	Armature 220V	1
	050T.0183A	Armature 110V	
20	032.0166	Circlip 472/28/1.2	1
21	050.9070	Bearing 6001V V	1
22	050.0064	Oil bearing 15 x 21 x 3	1
23	050.0236/Y	Inner gear plate	1
24	040.0161	Needle bearing HK0810	3
25	050.0065	Metal ring Ø40	1
26	100.0571	Circlip 471 11 x 1	1
27	050.0071	O-ring 82 x 1.8	1
28	050.0207	Gasket middle	1
29	050.0252	Gear assembly	1
30	050.0171	Gear 34/40Z	1
31	032.0126	Bearing 608ZZ 8 x 22 x 7	1
32	050.0231	Axle 13T	1
33	040.0301	Key	1
34	020.0146	Screw M6 x 25	1
35	050.0074	Rack - 1.5X39T	1
36	050.0076	Circlip Ø20	1
37	050.0463	Gear 1 x 45T	1
38	050.0462	Washer 20.5 x 28 x 0.2	1
39	030E.5034	Bearing nsk 6004 ddu	1
40	050.0066	Oil bearing 28 x 38 x 7	1

No.	Part no.	Description	Qty
41	050.0078	Ring 41.5 x 36.5 x 1.5	1
42	050.1014	Gear switch	1
43	050.0081	O-ring	1
44	050.0025	Pin 4 x 10	1
45	020.0329	Screw M4 x 16	1
46	050.0082	Screw holder	1
47	050.1005A	Clutch shaft	1
48	032.0211	Casing pin 4 x 12	1
49	020.0063	Screw M5 x 20	3
50	020.0289	Tank holder	1
51	060.1019	Gear box set	1
51A	055.0008G	Gear casing	1
51B	055.0028G	Slide	1
51C	020.0106	Screw M6 x 14	6
51D	020.0003	Pin	2
51F	030.0012	Screw motorhousing	1
52	050.0068	Bearing 61906 DDU	1
53	020.0156	Bolt M6 x 20	4
54	020.0111	Washer M6 DIN7980	11
55	050.0077	Key 6 x 6 x 12	1
56	050.0461	Spindle drive shaft 34 x 146 #3	1
57	020.0086/Z	Rail set Aluminium (L/R) Z-profile	1
58			
59	100.0022	Bolt M5 x 20	6
60	020.0081	End screw BKVZ M6 x 16	1
61	050.0030	Ender cover Ø36 X 3	1
62	050.0063	Bearing 6804 ZZ	1
63	040.0023	Washer	1
64	020.0101	Panel screw BKVZ M4 x 8	8
65	PP.RSEU-220	Rear Panel EB 220V	1
	PP.RSEU-110	Rear Panel EB 110V	
70A	050T.1028	Speed control unit 220 Volt	1
	050T.1028A	Speed control unit 110 Volt	
72	360.1040	Motor cable cover	1
72A	060S.B085	Motor cable complete	1
72B	CS050.0341/2	Cable set 1608 ->	1
73	020.0298	Motor cable clamp	1
74	020.0041/H	Coupling nut PG9 (motor cable)	2
75	032.0127A	Bearing 110 - 220 Volt	1
76	030.0027	Washer	1
77	020.0315	Arm for capstan	3
78	020.0061/Z	Capstan hub assembly	1
8	020.0182	Grounding screw/washer/nut	1
79			
80			

No.	Part no.	Description	Qty
81	020.0036	Main cable 220V EU	1
	020.0036/AU	Main cable Australia	
	020.0036/UK	Main cable UK 220v	
	020.0036/UK 110-16A	Main cable UK 110v 16A	
	020.0036/USA	Main cable USA	
	020.0031	Coupling nut PG11 (main cable)	1
79			
82	020.0037	Cable clamp complete	1
83			
84	020.0056/S	Screw SS M5 x 6	4
85	020.0056/Z	Frame aluminium rail (Z)	1
86	060+.0107	Front panel ECO.60S+	1
87	030E.0091/Y	Motor switch 220V (5- pin) YELLOW	1
	030E.0092/Y	Motor switch 110V (5- pin) YELLOW	
88	020.0011-1	Magnet switch	1
89	020.0206	LED indicator set	1
90	060.1009	Potentiometer	1
91	060.1030	Capacitor	1
92	100.1008	Sensor	1
93	020.0017	Fuse 5 x 20 F2A	1

No.	Part no.	Description	Qty
94	020.0016	Fuse holder	1
95	020.0112	Washer M6	4
96	055.1041	Gyroscope PCB set	1
97	060.1022	Magnet 220 Volt	1
	060.1022A	Magnet 110 Volt	
200	060S+.2010	Case ECO.60S+ with sticker	1
201	KSP.Q2	Coolant tank Quick Connect 2015	1
202	IBO.0.2L	Bottle 0.2LTR	1
203	SAF.300	Protective gloves	1
204	SAF.400	Safety chain (1 mtr) with lock	1
205	SAF.100	Safety goggles	1
206	020.0315	Arm for capstan	3
207	SAF.200	Ear plugs	1
208	IMB.US2.5	Allen key 2.5 mm	1
209	IMB.US4	Allen key 4.0 mm	1
210	IMB.US5	Allen key 5.0 mm	1
211	DRIFT3	Drift MT3	1
212	SAF.MDMB	Safety guard for ECO.50	1
213	020.0223	Screw M5 x 10	2
214	IMC.30/19-N	Arbor MT3 - 19.05 (3/4") Weldon	1
	IBO.G101	Gearbox oil	